

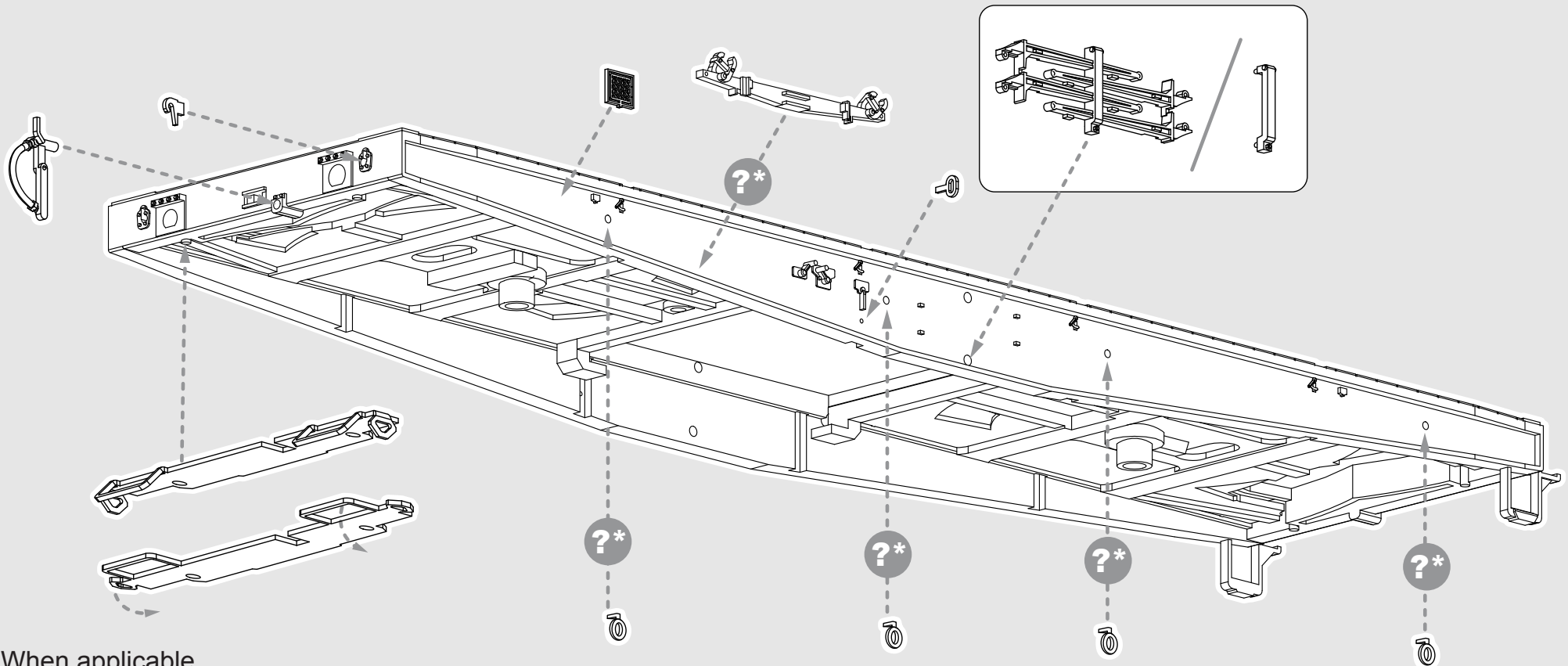
- When taking the car from the box, check for small parts that may have come loose. Please reattach with a small amount of woodglue.
- The box contains a small packet with spare- and

upgrade parts. See below or on our website for info on where to position them. Please note that these are completely optional; not fitting them will not influence the functioning of the flat car.

~AC

Artitec offers replacement wheels for use on AC-tracks. Please check www.artitec.nl or contact your dealer.

EXTRA PARTS - USE WOODGLUE TO ATTACH



* When applicable